



**Application:** 1997 – 2004 C5 Corvette

**Part Includes**

6 – Brake Caliper Covers

## Brake Caliper Covers



### Tools Needed



Search: **Brake Systems**  
[www.mamotorworks.com](http://www.mamotorworks.com)

**IMPORTANT: WHEN INSTALLING COVERS, BE SURE TO KEEP THE STEEL CLIPS FOR THE FRONT AND REAR CALIPER COVERS SEPARATE AS THEY ARE DIFFERENT. BEFORE STARTING INSTALL, MEASURE THE GAP BETWEEN YOUR WHEEL AND THE BRAKE CALIPER. YOU WILL NEED 1/8" CLEARANCE.**

Some brake pads have retainer wires that may interfere with proper caliper cover installation. Use pliers to bend and flatten these wires so that they do not protrude past the front of the caliper. This will not damage or affect brakes.

Installation instructions for caliper covers with both slot-type and stud-type clips included.

### INSTRUCTIONS FOR CALIPER COVERS WITH SLOT-TYPE CLIP:

#### STEP 1.

Place caliper cover on brake caliper. Cover should be centered across the front. Caliper cover bridges should be positioned against the brake caliper bracket.

#### STEP 2.

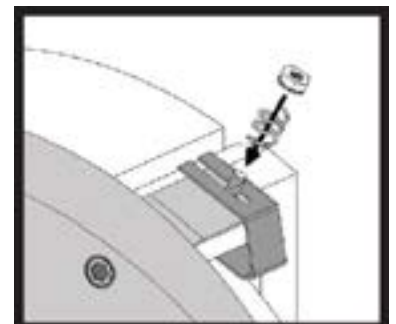
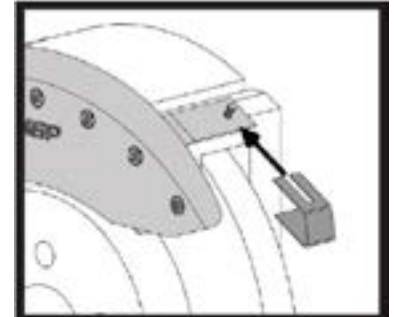
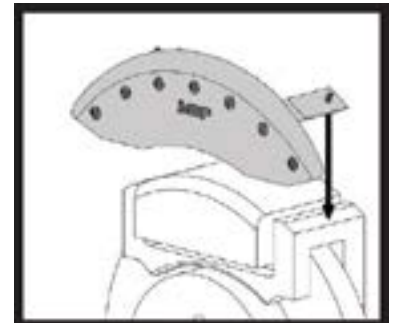
Slide stainless steel clips over the bridges and caliper brackets and around the threaded studs to fasten the cover. Fit should be snug and secure.

#### STEP 3.

Install the supplied locknuts onto the threaded studs to secure clip to bridge. Tighten with 3/8" wrench or socket to 25 in/lb. Over tightening could pull stud through aluminum bridge.

#### STEP 4.

Use feeler gauge (or business card) to check the clearance between clip and brake rotor. A gap of at least .013" (.32 mm) is recommended (enough to slide a strip of business card paper in and out without sticking). Re-install wheel and tighten lugnuts per manufacturer's specification.



Mamotorworks



@CorvettePassion



MidAmericaMotorworks



CorvettePassion

**2900 North Third Street, Effingham, IL 62401**

**800.500.1500 • Worldwide: 217.540.4200 • FAX: 217.540.4800**

**[www.mamotorworks.com](http://www.mamotorworks.com) • [generalmail@mamotorworks.com](mailto:generalmail@mamotorworks.com)**

©Mid America Motorworks, Inc. All rights reserved.



## Description (cont.)

### INSTRUCTIONS FOR CALIPER COVERS WITH STUD-TYPE CLIP:

#### STEP 1.

Slide the stainless steel clips on each side of the brake caliper bracket. Fit should be snug and secure.

#### STEP 2.

Place the cover over the caliper and position hole in bridge over the threaded stud and onto the clip (may require some force to pull second hole over stud).

#### STEP 3.

Install the supplied locknuts onto the threaded studs to secure bridge to clip. Tighten with 3/8" wrench or socket to 25 in/lb. Over tightening could pull stud through aluminum bridge.

#### STEP 4.

Use feeler gauge (or business card) to check clearance between clip and brake rotor (disc). A gap of at least .013" (.32 mm) is recommended. Re-install wheel and tighten lugnuts per manufacturer's specification.

