



Application: 1990 - 1995 C4 Corvette

Part Includes
14 - Pieces

Interior Courtesy Bulb Kit



Tools Needed



Search: *Lighting, Exterior & Interior*
www.mamotorworks.com

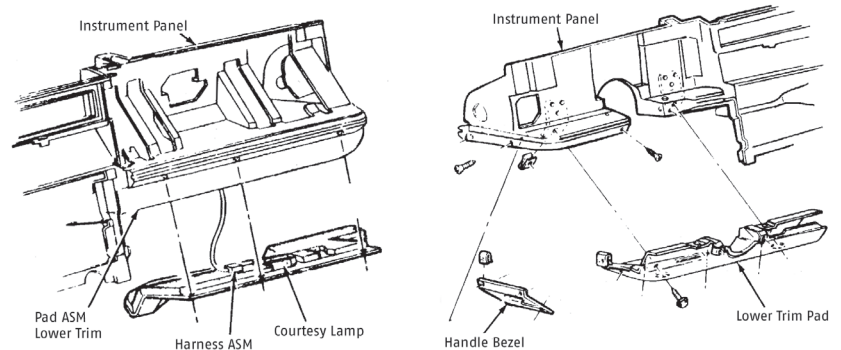
1984-95 Front Floor Courtesy Lamp

STEP 1.

To access the bulb, unsnap the lens from the lower panel by inserting a flat screwdriver under either end of the lens.

STEP 2.

Twist the screwdriver. If necessary, do the same on the other end of the lens.



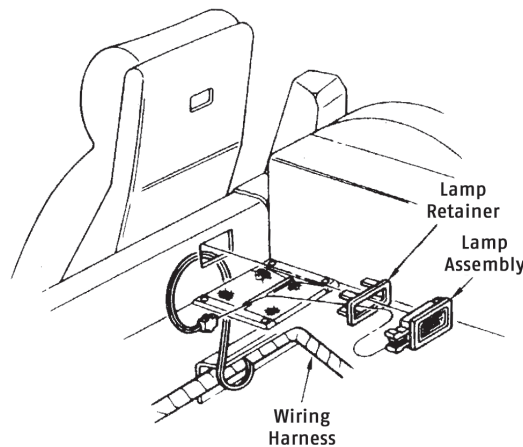
1986-95 Convertible Rear Floor Lamp

STEP 1.

To access this bulb, unsnap the lens from the carpet area by inserting a flat screwdriver under either end of the lens and twist the screwdriver.

STEP 2.

If necessary, repeat on the other end of the lens.



Mamotorworks



@CorvettePassion



MidAmericaMotorworks



CorvettePassion

2900 North Third Street, Effingham, IL 62401
800.500.1500 • Worldwide: 217.540.4200 • FAX: 217.540.4800
www.mamotorworks.com • generalmail@mamotorworks.com
©Mid America Motorworks, Inc. All rights reserved.



Description (cont.)

1984-95 Visor Mirror Bulbs

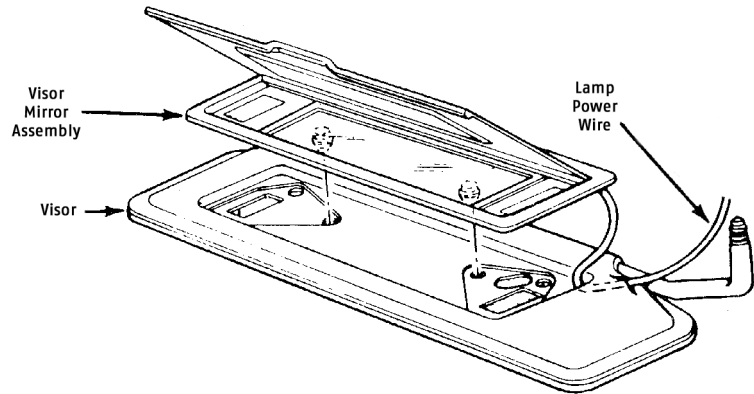
STEP 1.

The mirror light assembly can be unsnapped from the sunvisor. However, it is somewhat difficult to snap back into position.

Note: An easier way is to pull the visor away from either end of the light cover and use a small screwdriver to unclip the white socket that is holding the bulb.

STEP 2.

Reassemble in the same manner.



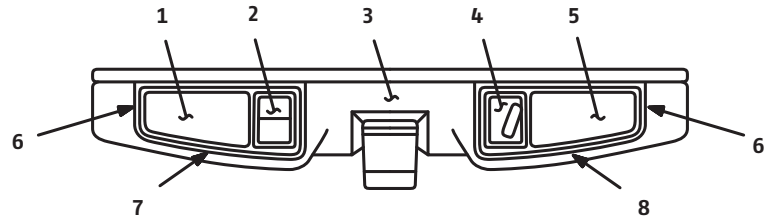
1984-95 Mirror Map Lamp

STEP 1.

To access the map and reading bulbs, take a small flat screwdriver and unsnap the lens cover from the mirror.

STEP 2.

The bulb sockets can now be removed.



1. Driver Side Courtesy/Reading Lamp
2. Courtesy/Reading Lamp Switch
3. Rear View Mirror Assembly
4. Console Flood Lamp
5. Passenger Side Courtesy/Reading Lamp
6. Release Tab Indent
7. Passenger Side Lamp Housing
8. Driver Side Lamp/Switch Housing

1984-89 Windshield Wiper Switch Bulb

STEP 1.

To access the windshield wiper switch, the left center accessory door panel plate will have to be removed.

STEP 2.

Begin by removing the two filler armrest Phillips screws. To unsnap the armrest, use a 1" wide putty knife to lift up between the foam armrest and the door panel.

STEP 3.

Remove the Phillips screws holding the accessory trim plate to the door panel and unclip the manual lock button from the door rod. Pull out on the panel at the top and unplug the door courtesy light. The wiper switch is attached to the trim panel.

STEP 4.

Remove the bulb in the switch by turning counterclockwise.

