



Application: 1984-1996 Corvette

603-196 603-198
603-200 603-202
608-835

Corvette Console Assembly and/or components

Part Includes

- 1 - Console Lid Assembly
- 1 - Hinge Assembly



Tools Needed



Search: *Dash & Center Console*
www.mamotorworks.com

DIRECTIONS FOR SAFE AND PROPER INSTALLATION Console Door Assembly (Figure A)

Step 1. Remove or disconnect:

- Negative battery cable
- Bolt/screws securing hinge to console
- I/P harness connector from lamp connector
- Door from vehicle

Step 2. Install or connect:

- Position door to console
- Hinge bolt/screws and align door

Step 3. Tighten:

- Console door bolt/screws 1.4N•m (12 lb. in.)
- I/P harness connector from lamp connector
- Negative battery cable

Console Door Hinge (Figure A)

Step 1. Remove or disconnect:

- Negative battery cable
- Open console door, remove lamp and inner cover
- Hinge from door
- Hinge from console

Step 2. Install or connect:

- Hinge to door
- Lamp and inner cover
- Hinge to console and align

Step 3. Tighten:

- Hinge to console bolt/screws to 1.4 N•m (12 lb. in.)
- Negative battery cable

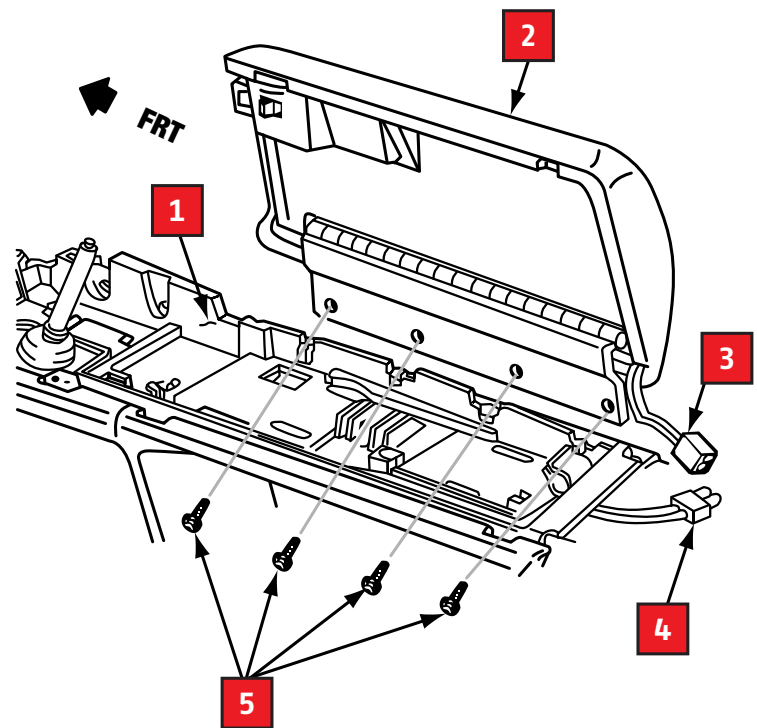


Figure A

- 1 - CONSOLE ASSEMBLY
- 2 - CONSOLE DOOR ASSEMBLY
- 3 - CONSOLE DOOR LAMP CONNECTOR
- 4 - INSTRUMENT PANEL HARNESS CONNECTOR
- 5 - SCREWS



Mamotorworks



@CorvettePassion



MidAmericaMotorworks



CorvettePassion

2900 North Third Street, Effingham, IL 62401
800.500.1500 • Worldwide: 217.540.4200 • FAX: 217.540.4800
www.mamotorworks.com • generalmail@mamotorworks.com

©Mid America Motorworks, Inc. All rights reserved.



Description (cont.)

Button and Spring (Figure B)

Step 1. Remove the screw from inside liner.

Step 2. Lift liner and slide rearward to expose button and spring.

Step 3. Assemble button and spring following diagram.

Figure B

