



Application: 1984-1990



Search: *Lighting, Exterior & Interior*
www.mamotorworks.com

Part Includes

1 - Component

Replacement Halogen Fog Lamp Bulb



Tools Needed

STEP 1.

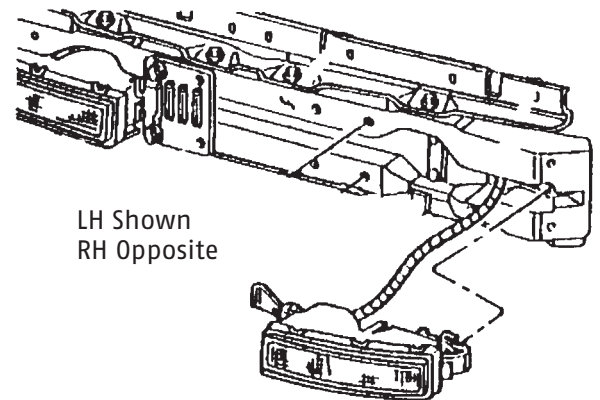
To access the bulb open the hood and locate, between the front bumper and the radiator housing forward of each horn, a gray socket tab with a purple and black wire going into it.

STEP 2.

Turn the gray flat tab counterclockwise and pull the socket rearward. The socket shaft is about 3 to 4 inches long.

STEP 3.

When reinstalling the bulb make sure the tip is positioned straight and not bent to the side. This affects the angle of the flat fog light beam.



Mamotorworks



@CorvettePassion



MidAmericaMotorworks



CorvettePassion

2900 North Third Street, Effingham, IL 62401

800.500.1500 • Worldwide: 217.540.4200 • FAX: 217.540.4800

www.mamotorworks.com • generalmail@mamotorworks.com

©Mid America Motorworks, Inc. All rights reserved.