



Application: 1984 - 1989 Corvette

Part Includes
12 - Pieces

Coupe Interior Courtesy Light Bulb Kit



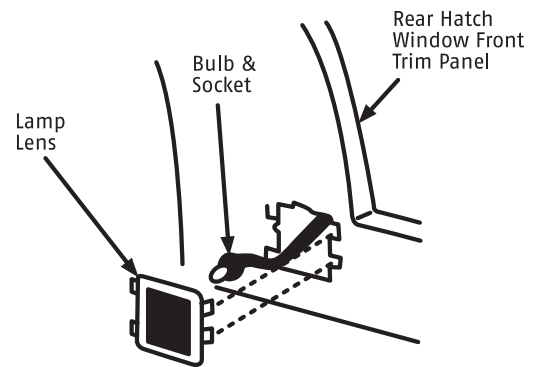
Tools Needed



Search: **Lighting, Exterior & Interior**
www.mamotorworks.com

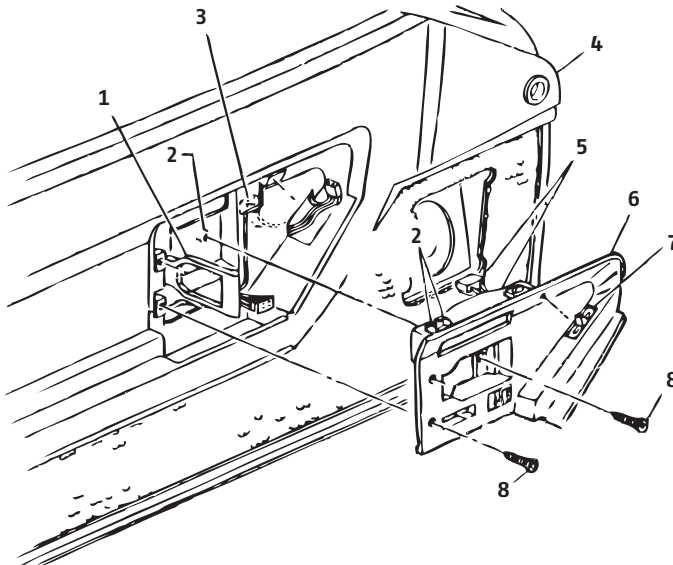
1984-95 Coupe Cargo Bulb

Using a small flat screwdriver, unsnap the rear of the lens from the trim panel.



1984-95 Courtesy Door Lamp

To access the bulb, remove the Phillips screws holding the center plastic bezel plate to the door panel. Pull the panel outward at the top and remove the two screws holding the lens to the panel. Unclip the lens cover as shown in the picture. Always replace the bulb with the correct bulb which has 6 candlelight power. The hood lamp looks like the door bulb, but it has 12 candlelight power. These will melt the door plastic lens if used. Refer to pictures.



1. Handle, Door Inside
2. Nut, Accessory Trim Plate
3. Electrical Harness, Courtesy Lamp
4. Door Trim Panel
5. Courtesy Lamp
6. Accessory Trim Plate
7. Switch, Windshield Wiper/Washer
8. Screw, Accessory Trim Plate



Mamotorworks



@CorvettePassion



MidAmericaMotorworks



CorvettePassion

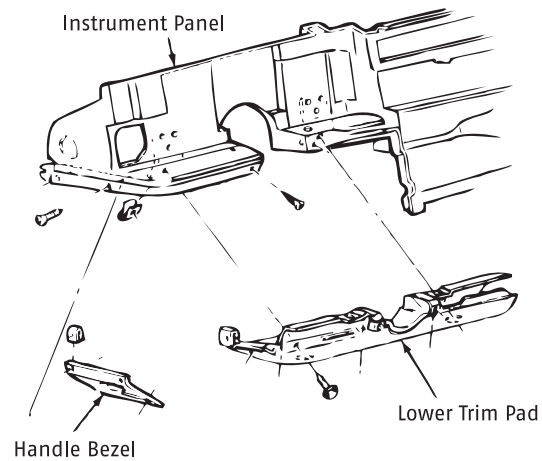
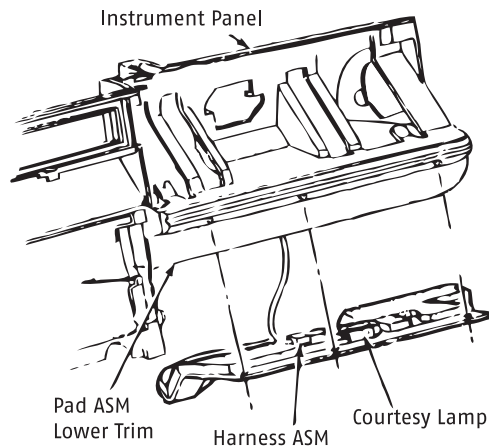
2900 North Third Street, Effingham, IL 62401
800.500.1500 • Worldwide: 217.540.4200 • FAX: 217.540.4800
www.mamotorworks.com • generalmail@mamotorworks.com
©Mid America Motorworks, Inc. All rights reserved.



Description (cont.)

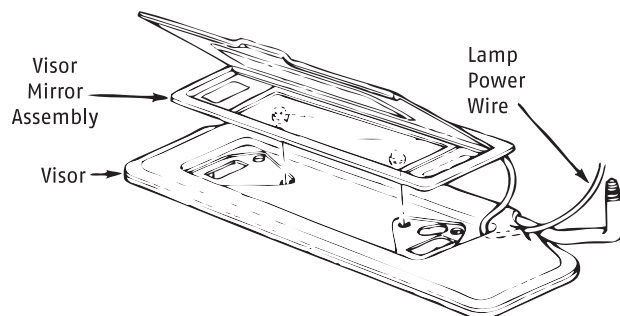
1984-95 Front Floor Courtesy Lamp

To access the bulb, unsnap the lens from the lower panel by inserting a flat screwdriver under either end of the lens. Twist the screwdriver. If necessary, do the same on the other end of the lens.



1984-95 Visor Mirror Bulbs

The mirror light assembly can be unsnapped from the sunvisor. However, it is somewhat difficult to snap back into position. An easier way is to pull the visor away from either end of the light cover and use a small screwdriver to unclip the white socket that is holding the bulb. Reassemble in the same manner.

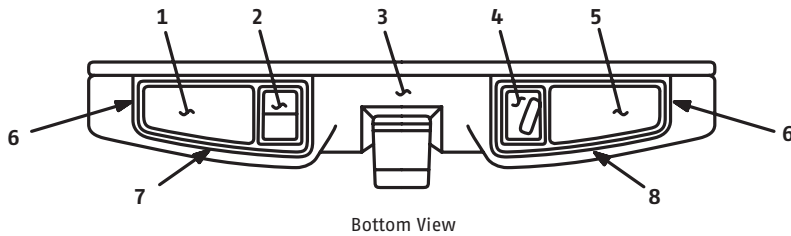




Description (cont.)

1984-95 Mirror Map Lamp

To access the map and reading bulbs, take a small flat screwdriver and unsnap the lens cover from the mirror. The bulb sockets can now be removed.



1. Driver Side Courtesy/Reading Lamp
2. Courtesy/Reading Lamp Switch
3. Rear View Mirror Assembly
4. Console Flood Lamp
5. Passenger Side Courtesy/Reading Lamp
6. Release Tab Indent
7. Passenger Side Lamp Housing
8. Driver Side Lamp/Switch Housing

1984-89 Windshield Wiper Switch Bulb

To access the windshield wiper switch, the left center accessory door panel plate will have to be removed. Begin by removing the two filler armrest Phillips screws. To unsnap the armrest, use a 1" wide putty knife to lift up between the foam armrest and the door panel. Remove the Phillips screws holding the accessory trim plate to the door panel and unclip the manual lock button from the door rod. Pull out on the panel at the top and unplug the door courtesy light. The wiper switch is attached to the trim panel. Remove the bulb in the switch by turning counterclockwise.

