



**Application:** 1984-1988



Search: *Lighting, Exterior & Interior*  
[www.mamotorworks.com](http://www.mamotorworks.com)

**Part Includes**

1 - Component

# External Lighting Bulb Kit



## Tools Needed

**VERY IMPORTANT!!!** If you plan to install this entire kit at once, please read all instructions before beginning, as you will find you can combine steps for simplicity.

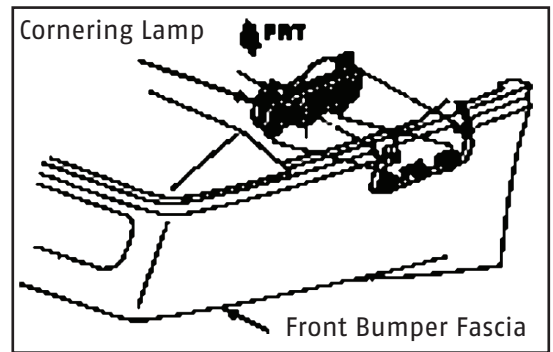
### 1984-95 FRONT CORNERING LAMPS

**STEP 1.**

Open hood to access sockets on inside of front bumper.

**STEP 2.**

Push lock tab down and turn counterclockwise to remove.



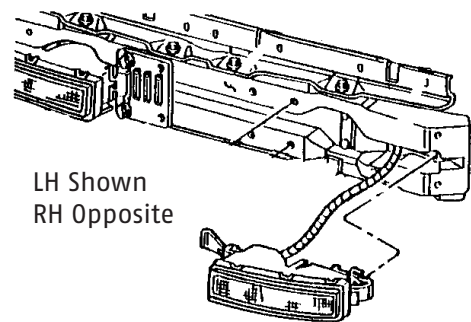
### 1984-95 FRONT PARKING/TURN SIGNAL

**STEP 1.**

To access the bulb, open the hood and locate the parking light socket to the right or left of the radiator assembly.

**STEP 2.**

Turn the socket counterclockwise.



Mamotorworks



@CorvettePassion



MidAmericaMotorworks



CorvettePassion

**2900 North Third Street, Effingham, IL 62401**  
**800.500.1500 • Worldwide: 217.540.4200 • FAX: 217.540.4800**  
**[www.mamotorworks.com](http://www.mamotorworks.com) • [generalmail@mamotorworks.com](mailto:generalmail@mamotorworks.com)**  
©Mid America Motorworks, Inc. All rights reserved.



## Description (cont.)

### 1984-95 COUPE AND CONVERTIBLE TAIL LAMP BULBS

#### STEP 1.

To access the inner bulb, first remove the license plate and inner back-up light lens assembly's 7mm screws.

#### STEP 2.

Remove the back-up light lens from the car by pushing the socket lock tab down and turning the socket counterclockwise.

#### STEP 3.

Next reach up to the back side of the inner lens and push the lock tab down on the socket and turn it counterclockwise. The wire should be long enough to pull down for bulb replacement.

#### STEP 4.

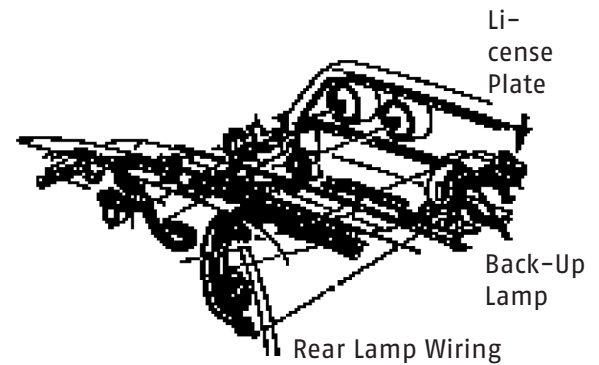
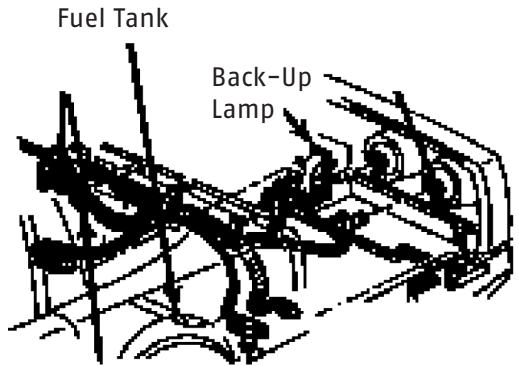
To access the outer bulb, remove the inner lens assembly by removing the two 10mm screws holding the lens assembly to the bumper.

#### STEP 5.

Remove the lens and reach through the inner opening and remove the outer socket from the lens and pull it through the inner opening.

#### STEP 6.

To reassemble, reverse the procedure. Refer to picture(s).  
(1991-95 Coupe and Convertible (not shown) Tail Lamp Bulbs  
1990-95 ZR-1 (not shown) Tail Lamp Bulbs)  
Remove the two #15 Torx screws holding the lens to the light assembly.

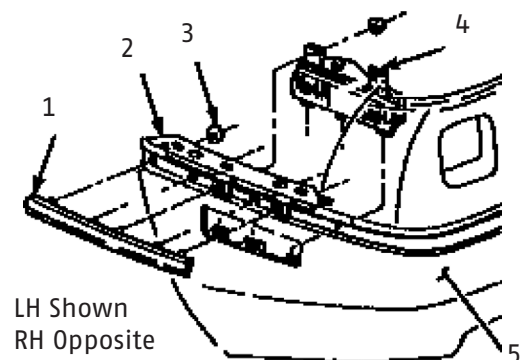


### 1984-88 MARKER LIGHTS

The marker lights are in the cornering light lens assembly at the front of the left and right wheel housing to the bumper. The rear lower outside marker lights are accessible from under the car.

#### STEP 1.

To remove these sockets turn counterclockwise.



LH Shown  
RH Opposite



## Description (cont.)

**VERY IMPORTANT!!!** If you plan to install this entire kit at once, please read all instructions before beginning, as you will find you can combine steps for simplicity.

### 1984-95 FRONT CORNERING LAMPS

**STEP 1.**

Open hood to access sockets on inside of front bumper.

**STEP 2.**

Push lock tab down and turn counterclockwise to remove.

### 1984-95 FRONT PARKING/TURN SIGNAL

**STEP 1.**

To access the bulb, open the hood and locate the parking light socket to the right or left of the radiator assembly.

**STEP 2.**

Turn the socket counterclockwise.

### 1984-95 COUPE AND CONVERTIBLE TAIL LAMP BULBS

**STEP 1.**

To access the inner bulb, first remove the license plate and inner back-up light lens assembly's 7mm screws.

**STEP 2.**

Remove the back-up light lens from the car by pushing the socket lock tab down and turning the socket counterclockwise.

**STEP 3.**

Next reach up to the back side of the inner lens and push the lock tab down on the socket and turn it counterclockwise. The wire should be long enough to pull down for bulb replacement.

**STEP 4.**

To access the outer bulb, remove the inner lens assembly by removing the two 10mm screws holding the lens assembly to the bumper.

**STEP 5.**

Remove the lens and reach through the inner opening and remove the outer socket from the lens and pull it through the inner opening.

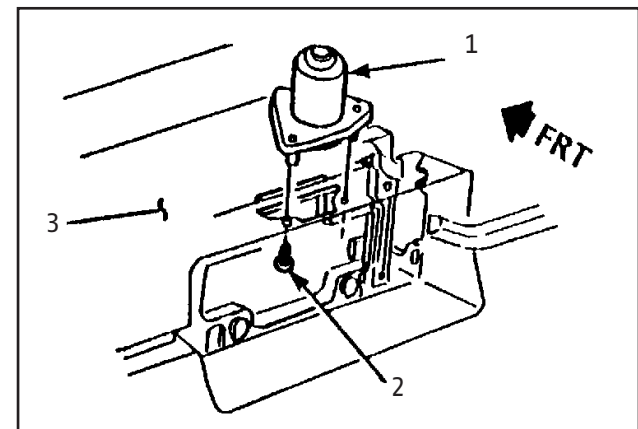
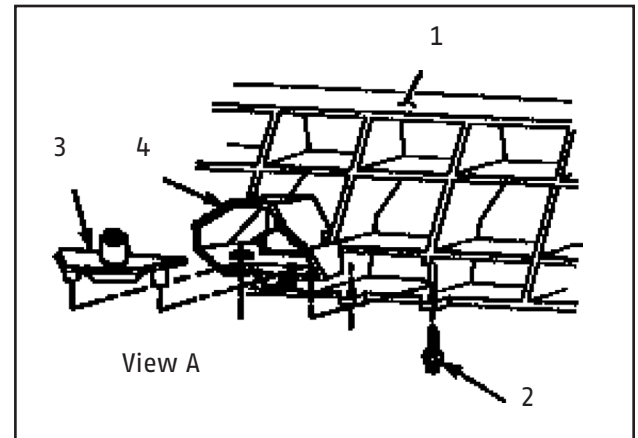
**STEP 6.**

To reassemble, reverse the procedure. Refer to picture(s).

(1991-95 Coupe and Convertible (not shown) Tail Lamp Bulbs

1990-95 ZR-1 (not shown) Tail Lamp Bulbs)

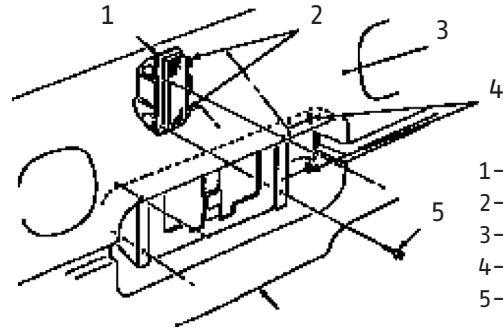
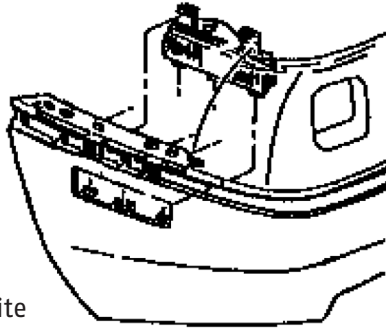
Remove the two #15 Torx screws holding the lens to the light assembly.





## Description (cont.)

LH Shown  
RH Opposite



- 1-Back-up Lamp
- 2-Tabs
- 3-Rear Fascia
- 4-Slots
- 5-Screw