



Part Number

603-196 603-198
603-200 603-202
608-835

Application: 1984-1996 Corvette

Corvette Console Assembly and/or components

Part Includes

- 1 - Console Lid Assembly
- 1 - Hinge Assembly



Tools Needed



DIRECTIONS FOR SAFE AND PROPER INSTALLATION

Console Door Assembly (Figure A)

Step 1. Remove or disconnect:

- Negative battery cable
- Bolt/screws securing hinge to console
- I/P harness connector from lamp connector
- Door from vehicle

Step 2. Install or connect:

- Position door to console
- Hinge bolt/screws and align door

Step 3. Tighten:

- Console door bolt/screws 1.4N•m (12 lb. in.)
- I/P harness connector from lamp connector
- Negative battery cable

Console Door Hinge (Figure A)

Step 1. Remove or disconnect:

- Negative battery cable
- Open console door, remove lamp and inner cover
- Hinge from door
- Hinge from console

Step 2. Install or connect:

- Hinge to door
- Lamp and inner cover
- Hinge to console and align

Step 3. Tighten:

- Hinge to console bolt/screws to 1.4 N•m (12 lb. in.)
- Negative battery cable

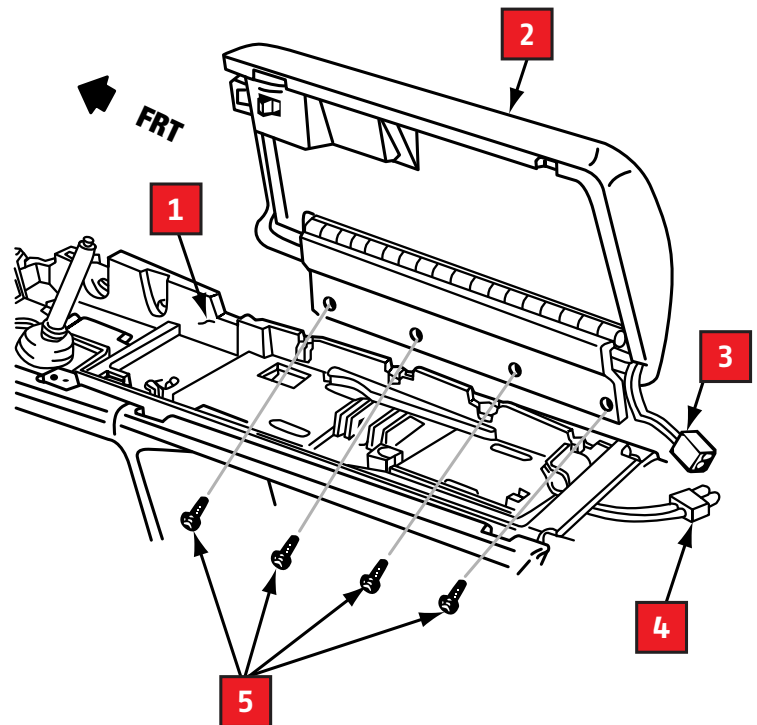


Figure A

- 1 - CONSOLE ASSEMBLY
- 2 - CONSOLE DOOR ASSEMBLY
- 3 - CONSOLE DOOR LAMP CONNECTOR
- 4 - INSTRUMENT PANEL HARNESS CONNECTOR
- 5 - SCREWS



Mamotorworks



@CorvettePassion



MidAmericaMotorworks

2900 North Third Street, Effingham, IL 62401

800.500.1500 • Worldwide: 217.540.4200 • FAX: 217.540.4800

www.mamotorworks.com • generalmail@mamotorworks.com

©Mid America Motorworks, Inc. All rights reserved.



Corvette Console Assembly and/or components (cont.)

603-196 603-198
603-200 603-202
608-835

Button and Spring (Figure B)

Step 1. Remove the screw from inside liner.

Step 2. Lift liner and slide rearward to expose button and spring.

Step 3. Assemble button and spring following diagram.

Figure B

