



Application: 1973-1982 C3 Corvette

Part Includes

1 - Ignition Harness

Ignition Harness GM HEI to MSD



Tools Needed



IMPORTANT: Review the installation procedures of the MSD 6 Series Ignition prior to connecting the wiring harness.

This Harness is designed to simplify the installation of an MSD 6 Series Ignition Control to a GM HEI Distributor that uses a 5-pin or 7-pin module (Figure 1). Most of these distributors DO NOT have a vacuum advance.

Note: On HEI distributors with a 4-pin module, this Harness cannot be used.

STEP 1.

Disconnect the 12 volt key connector, the 3-wire connector coming out of the distributor and the Tach Connector (if applicable).

STEP 2.

Connect the Pink, Black and one of the Brown wires of the Harness to the corresponding wires of the 3-wire connector coming out of the distributor.

STEP 3.

Connect the Red wire of the Harness to the key connector.

STEP 4.

Plug the 3-wire connector of the Harness into the distributor cap.

STEP 5.

Connect the Orange, Black, Red and White wires of the Harness to the corresponding wires of the MSD Ignition Control.

STEP 6.

If there was a tach wire going to into the distributor cap, connect it to the other brown wire of the MSD harness. If a tach is not being used, tape and seal this connector.

In some rare applications with a 5-Pin HEI Ignition Module, the engine may run erratically or shut off on deceleration after the MSD Ignition is installed. To correct this, a diode assembly is available from MSD Customer Support. The diode assembly installs on the input end of the module on the middle terminal (Figure 3). Be sure the supplied lock washers are installed under the tab of the diode assembly.

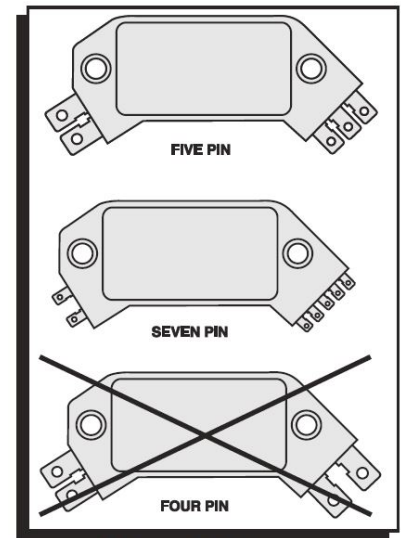


Figure 1 Different HEI Modules.



MAMotorworks



Midamotorworks



MidAmericaMotorworks

2900 N. Third Street, P.O. Box 1368, Effingham, IL 62401
800.500.1500 • Worldwide: 217.540.4200 • FAX: 217.540.4800
www.mamotorworks.com • generalmail@mamotorworks.com
©Mid America Motorworks, Inc. All rights reserved.



Ignition Harness GM HEI to MSD (cont.)

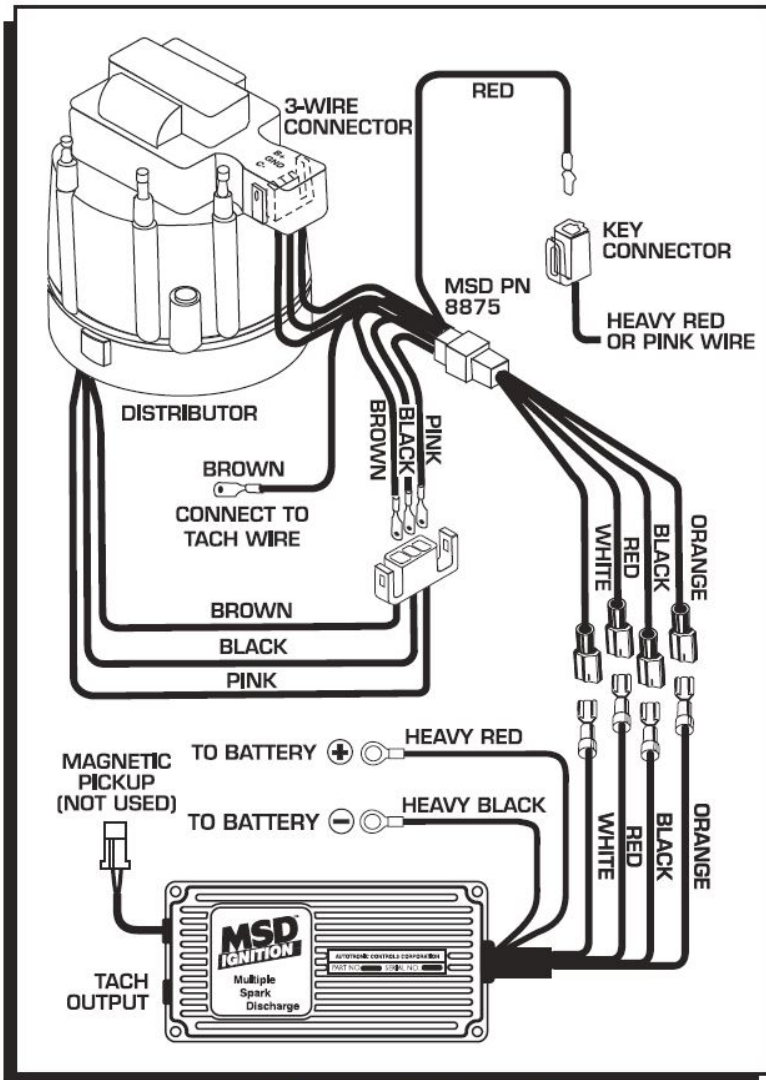


Figure 2 Wiring the PN 8875 Harness

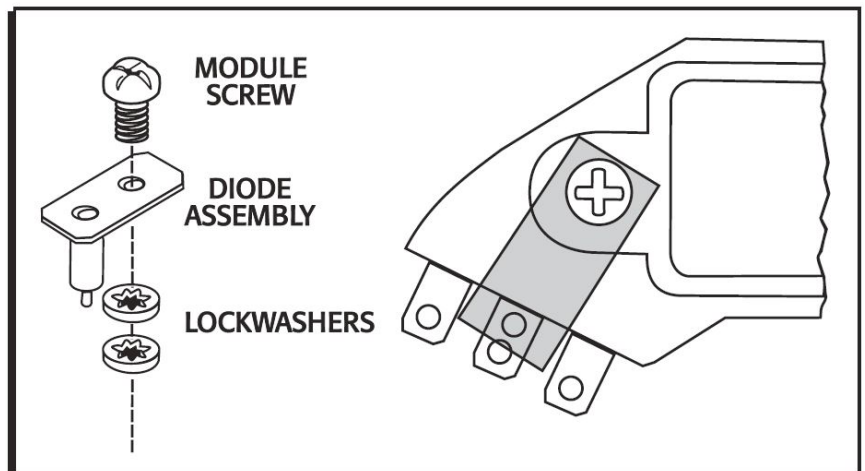


Figure 3 Installing the Diode Assembly with a 5-Pin Module.