

Rear Exhaust Screen

Kit Contents

Description	Quantity
Rear Exhaust Screen Assembly	1
Installation Instructions	1

Tools Required

- Safety Glasses
- Ratchet
- Torque Wrench
- Socket (10mm)

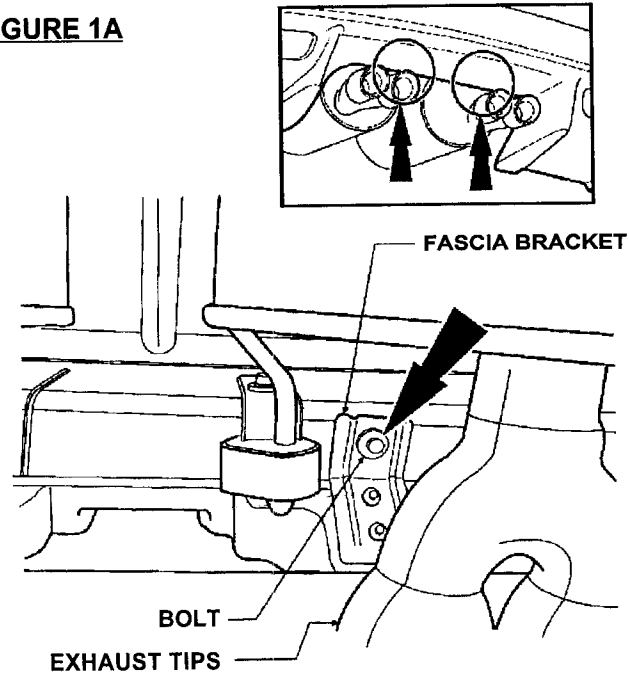
Vehicle Preparation

1. Wash and thoroughly dry vehicle.
2. For best results, vehicle should be free of damage (dents, scuffs, creases, fractures, etc).

Rear Exhaust Screen Installation

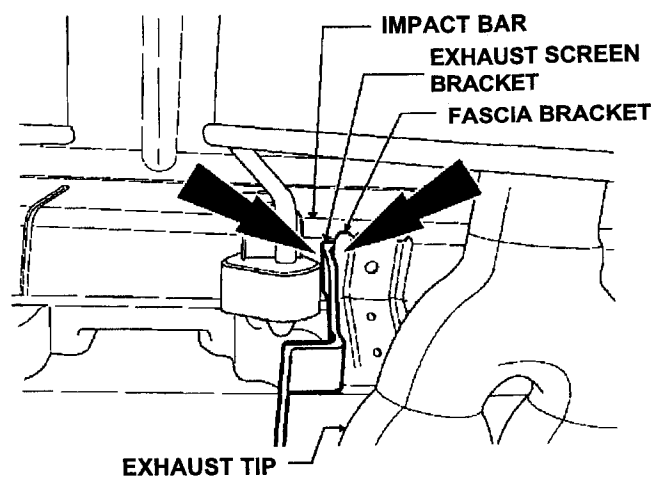
1. Remove 2 lower fascia bolts. Reserve for future use. See Figure 1A.

FIGURE 1A



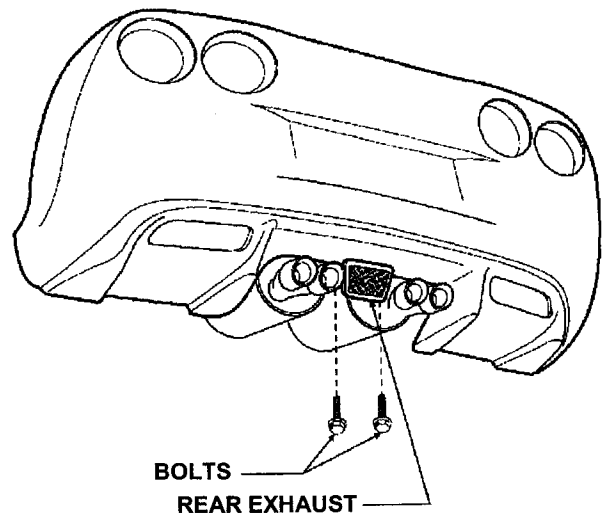
2. Position exhaust screen brackets between the impact bar and the lower fascia brackets. See Figure 1B.

FIGURE 1B



3. Install 2 bolts reserved from step 1. Tighten to 5 N*m (44 lb*ft). See Figure 1C.

FIGURE 1C



Chevrolet Corvette Rear Exhaust Screen

PART NO. **88967712** SHEET **1** OF **3**

DATE	REVISION	AUTH	DR
15NO04	Initial Release - Jeff Peterson		

INSTALLATION INSTRUCTIONS
Chevrolet Corvette Rear Exhaust Screen
PART NO. **88967712** SHEET **1** OF **3**

ALL INFORMATION WITHIN ABOVE BORDER TO BE PRINTED EXACTLY AS SHOWN ON 8.5 x 11 WHITE 18 POUND NON-BOND RECYCLABLE PAPER. PRINT ON BOTH SIDES, EXCLUDING TEMPLATES. TO BE UNITIZED IN ACCORDANCE WITH GM SPO SPECIFICATIONS.