



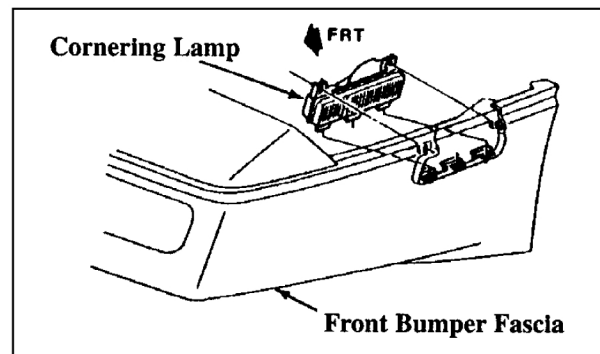
---

**Suggested Installation Instructions for:  
601-997, 1989-1995 External Lighting Bulb Kit**

***VERY IMPORTANT!!!** If you plan to install this entire kit at once, please read all instructions before beginning, as you will find you can combine steps for simplicity.*

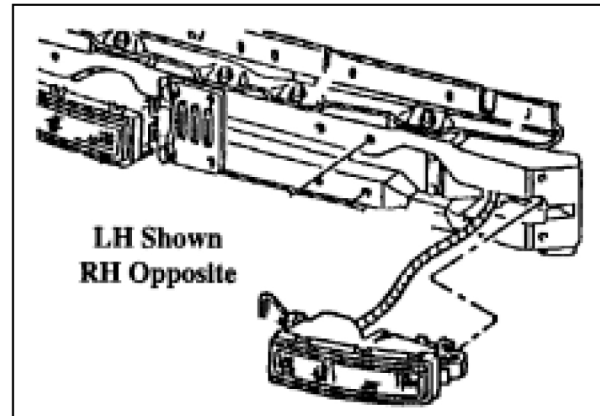
**1984-95 Front Cornering Lamps**

Open hood to access sockets on inside of front bumper. Push lock tab down and turn counterclockwise to remove.



**1984-95 Front Parking/Turn Signal**

To access the bulb, open the hood and locate the parking light socket to the right or left of the radiator assembly. Turn the socket counterclockwise.



### 1984-90 Coupe and Convertible Tail Lam Bulbs

To access the inner bulb, first remove the license plate and inner back-up light lens assembly's 7mm screws. Remove the back-up light lens from the car by pushing the socket lock tab down and turning the socket counterclockwise.

Next reach up to the back side of the inner lens and push the lock tab down on the socket and turn it counterclockwise. The wire should be long enough to pull down for bulb replacement.

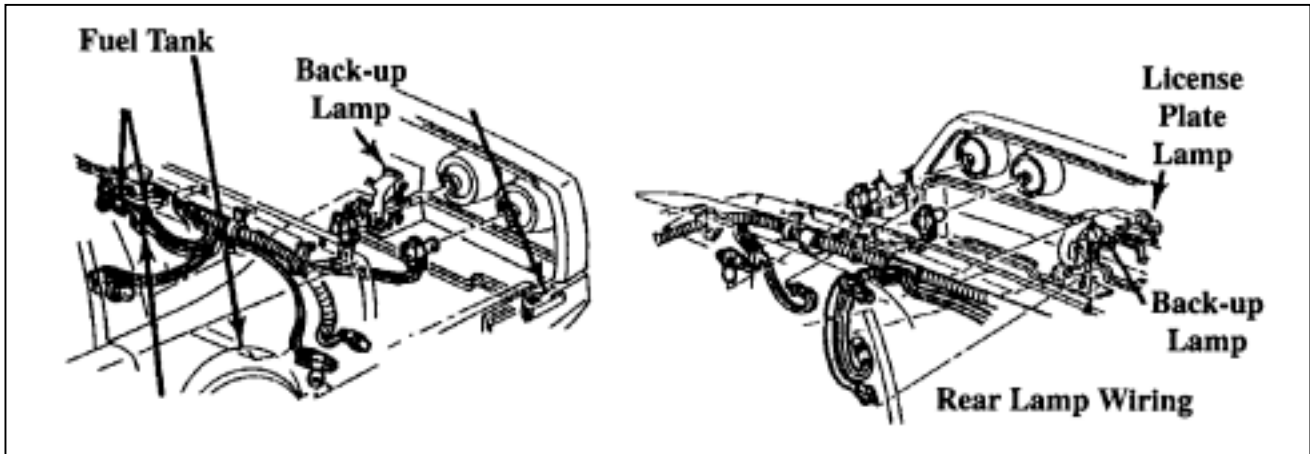
To access the outer bulb, remove the inner lens assembly by removing the two 10mm screws holding the lens assembly to the bumper. Remove the lens and reach through the inner opening and remove the outer socket from the lens and pull it through the inner opening.

To reassemble, reverse the procedure. Refer to picture(s).

### **1991-95 Coupe and Convertible (not shown) Tail Lamp**

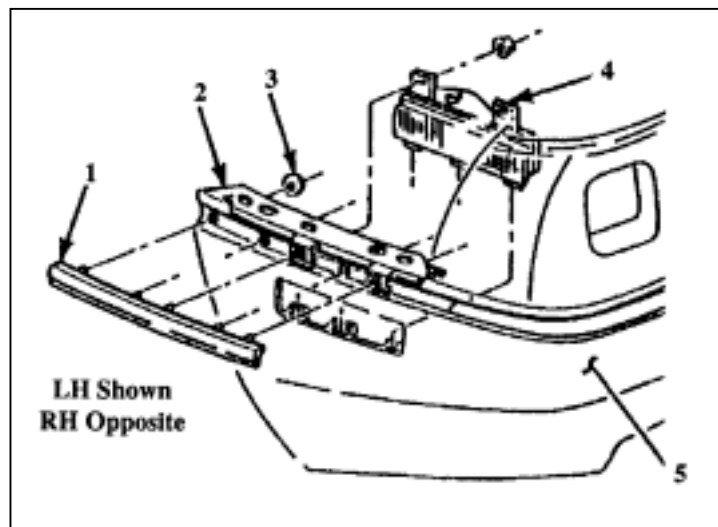
#### **Bulbs 1990-95 ZR-1 (not shown) Tail Lamp Bulbs**

Remove the two #15 Torx screws holding the lens to the light assembly.



### 1989-95 Marker Lights

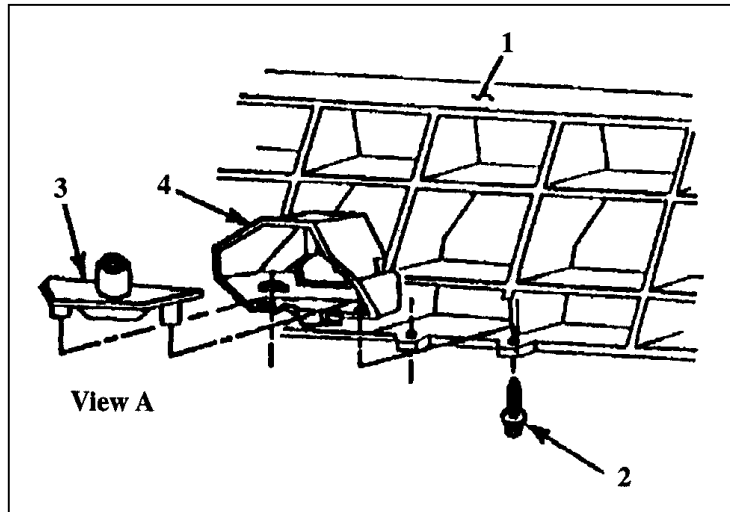
The marker lights are in the cornering light lens assembly at the front of the left and right wheel housing to the bumper. The rear lower outside marker lights are accessible from under the car. To remove these sockets turn counterclockwise.



**1989-92 Spare Tire Light**

The spare tire light is under the right rear bumper edge as show in picture. To remove these sockets turn counterclockwise.

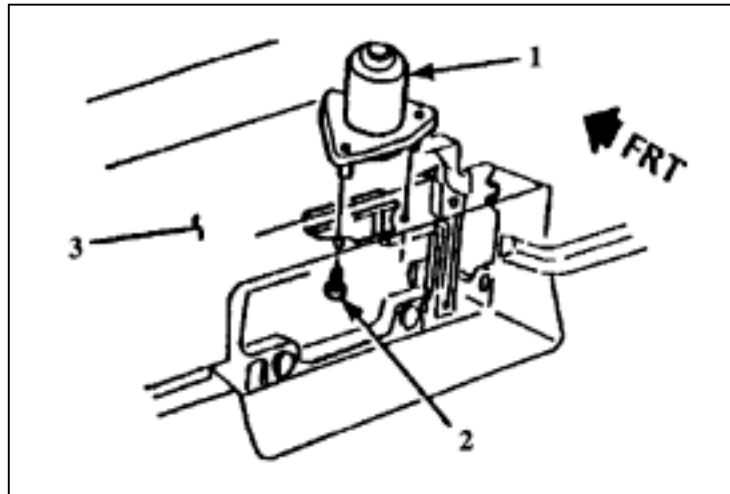
- 1-Rear Bumper Energy Absorber
- 2-Bolt
- 3-Spare Tire Lamp Assembly
- 4-Spare Tire Lamp Shield



**1989-95 Coupe & Convertible and 1991-95 ZR-1 License Plate Lights**

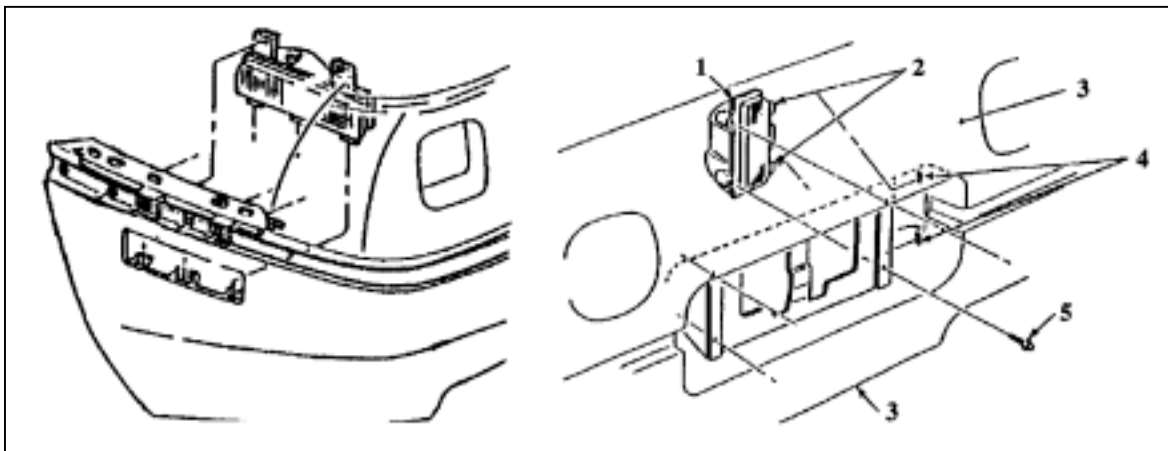
The license plate lights are easier to replace if you remove the two screws holding the lens to the bumper and lower the lens socket assembly. To remove these sockets turn counterclockwise.

- 1-License Lamp
- 2-Bolt
- 3-Rear Bumper Fascia



**1984-95 Back-up Lamps, Outer Bumper and Inner by License Plate**

To access the bulbs in the outer bumper area, let your car exhaust cool off and reach on the outside of the muffler to the lens assembly and push the lock tab in and turn the socket counterclockwise to remove it. To access inner back-up lights, remove the license plate. Push the lock tab in and turn the socket counterclockwise to remove it.



- |                 |          |
|-----------------|----------|
| 1- Back-up Lamp | 4- Slots |
| 2- Tabs         | 5- Screw |
| 3- Rear Fascia  |          |