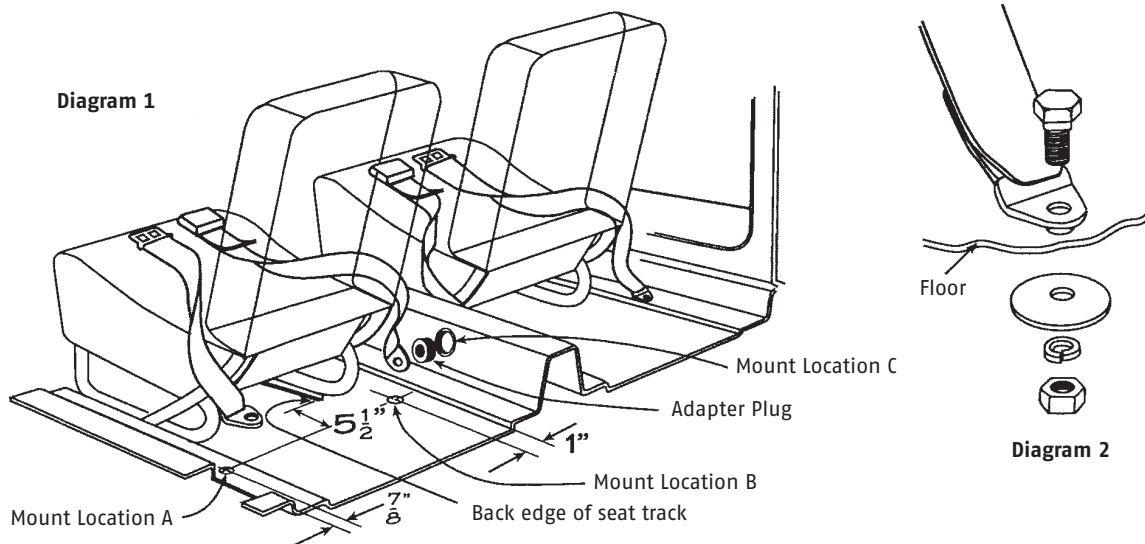




Suggested Installation Instructions for: 377-144 Seat Belt Adapter Plug

Pease Note: If seat belts are to be installed in a car with rust in or around the mounting locations, additional reinforcing is required and should be handled by a professional.



Front Seat, 1962 and later

On 1962 and later bugs, ghias and some buses you should have factory mounting locations at points A or C. In the years 1962 through 1965 you will find the mounting location holes very large (approx. 22mm in dia). We can supply an adapter plug, part number 377-144, that brings this size down to the standard 7/16 SAE bolt. In the years 1967 and later, all factory mounting locations were 7/16".

Rear Seat, Bug and Bus, 1962 and later

In the years 1962 through 1967, the factory also supplied locations for the rear seat belts but only for the center mounting location and only for the Beetle. Use the body to chassis bolt located under the seat to secure the outside half of the belt. If you are installing on a micro bus deluxe with a sunroof or a double door panel van this can be extremely difficult as there is no access to the floor underneath the vehicle.

1961 and earlier cars

The factory did not supply mounting locations for these years. Therefore you will need to use the following instructions. Refer to Diagram 1 and spot the mounting location holes at location A & B. Use only one strap per fitting! Using a 7/16" bit, drill holes for the bolts. Install bolts and washers according to Diagram 2.

3 Point Installation

These belts can only be mounted in 1962 and later cars. Use the factory mounting locations with adapter plugs if needed. On pre 1962 cars, welding is required to fit this belt and should be handled by a professional. A bolt spacer is supplied for the shoulder bolt location. This spacer allows this point to pivot. When using diagonal belts always position the buckle on the inside hip and not in the center of the body. Wear seat belts snug at all times.

IMPORTANT NOTES

- Wear belt snugly at the waist. Do not allow belt to be worn in the stomach area.
- One belt per person.
- Save these instructions, inspect components periodically.
- To clean, wash with mild soap or detergent. Do not re-dye webbing.
- Use hardware supplied with belts.